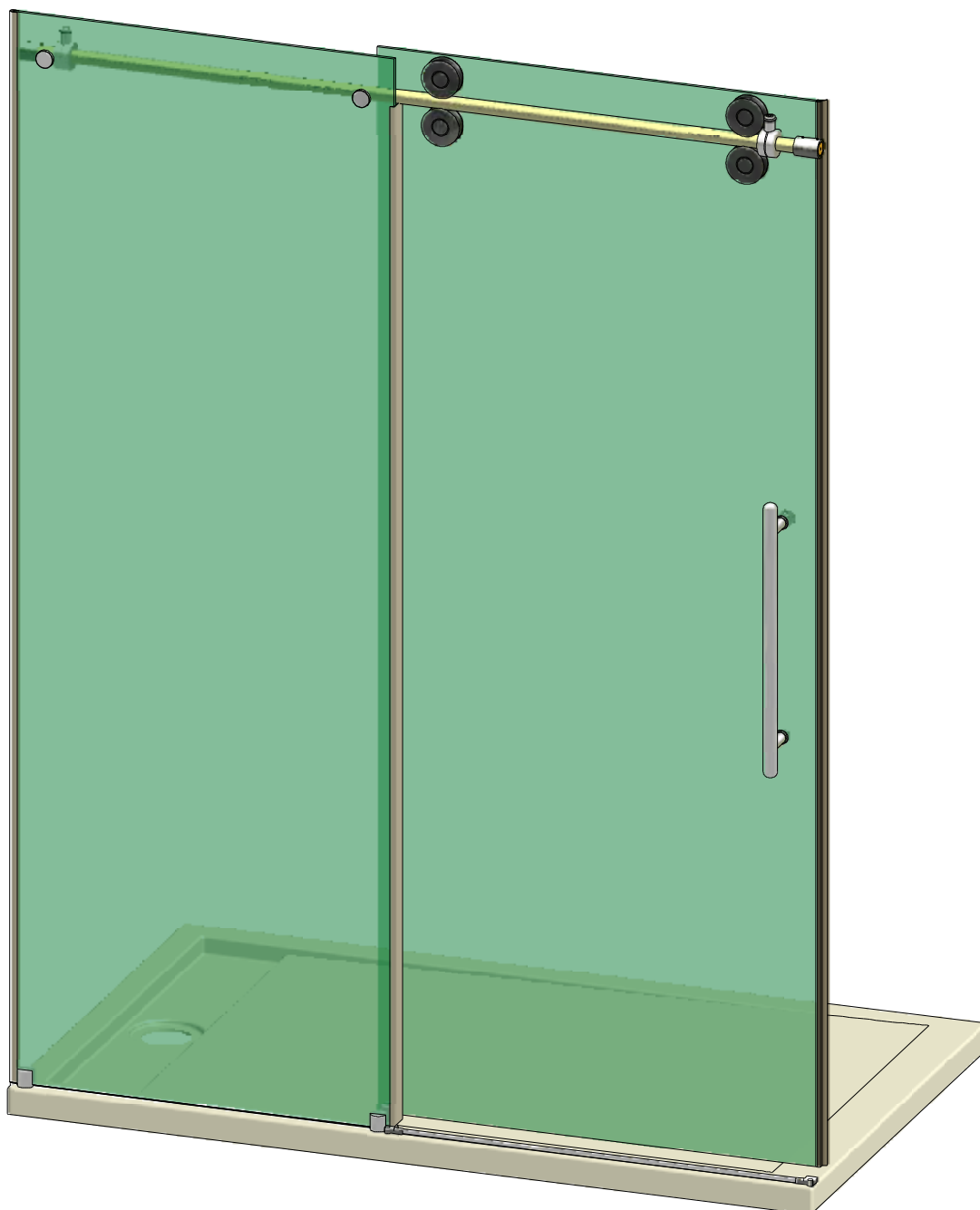
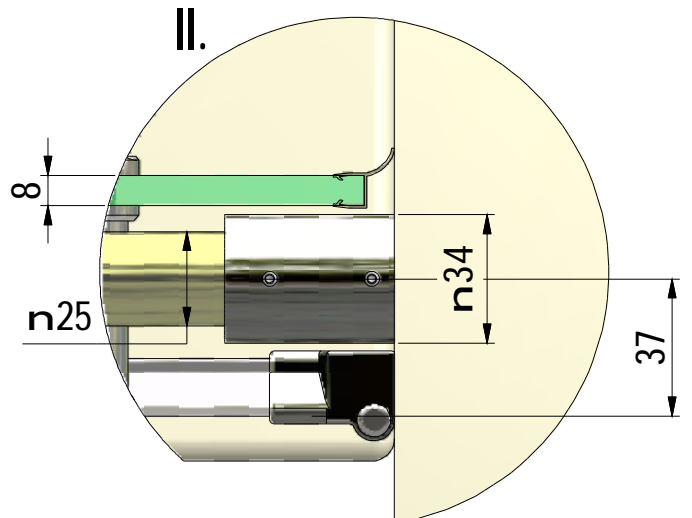
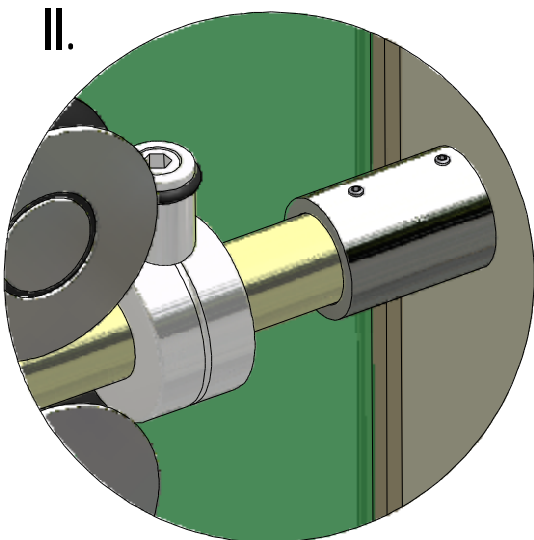
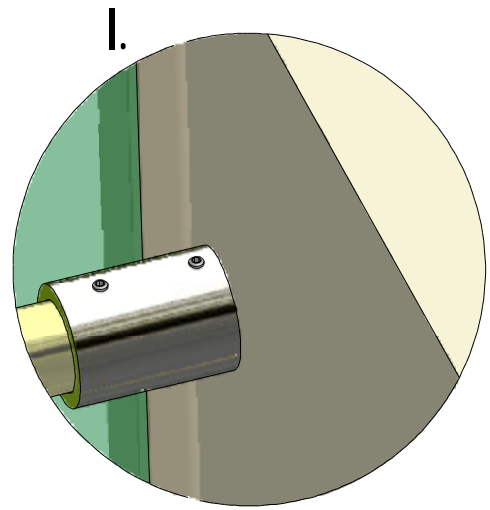
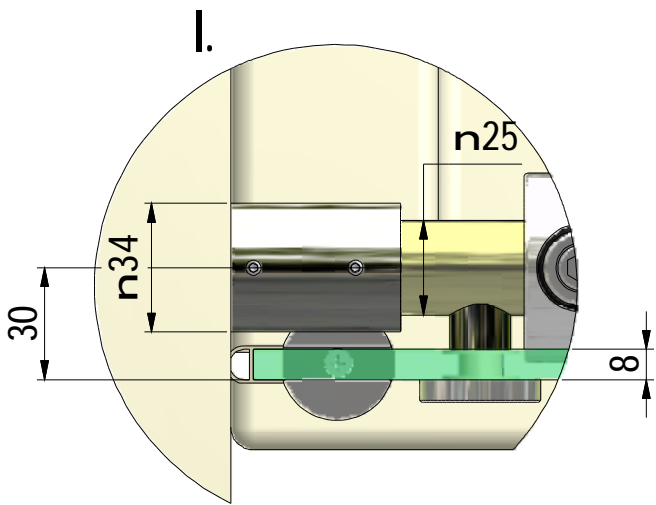
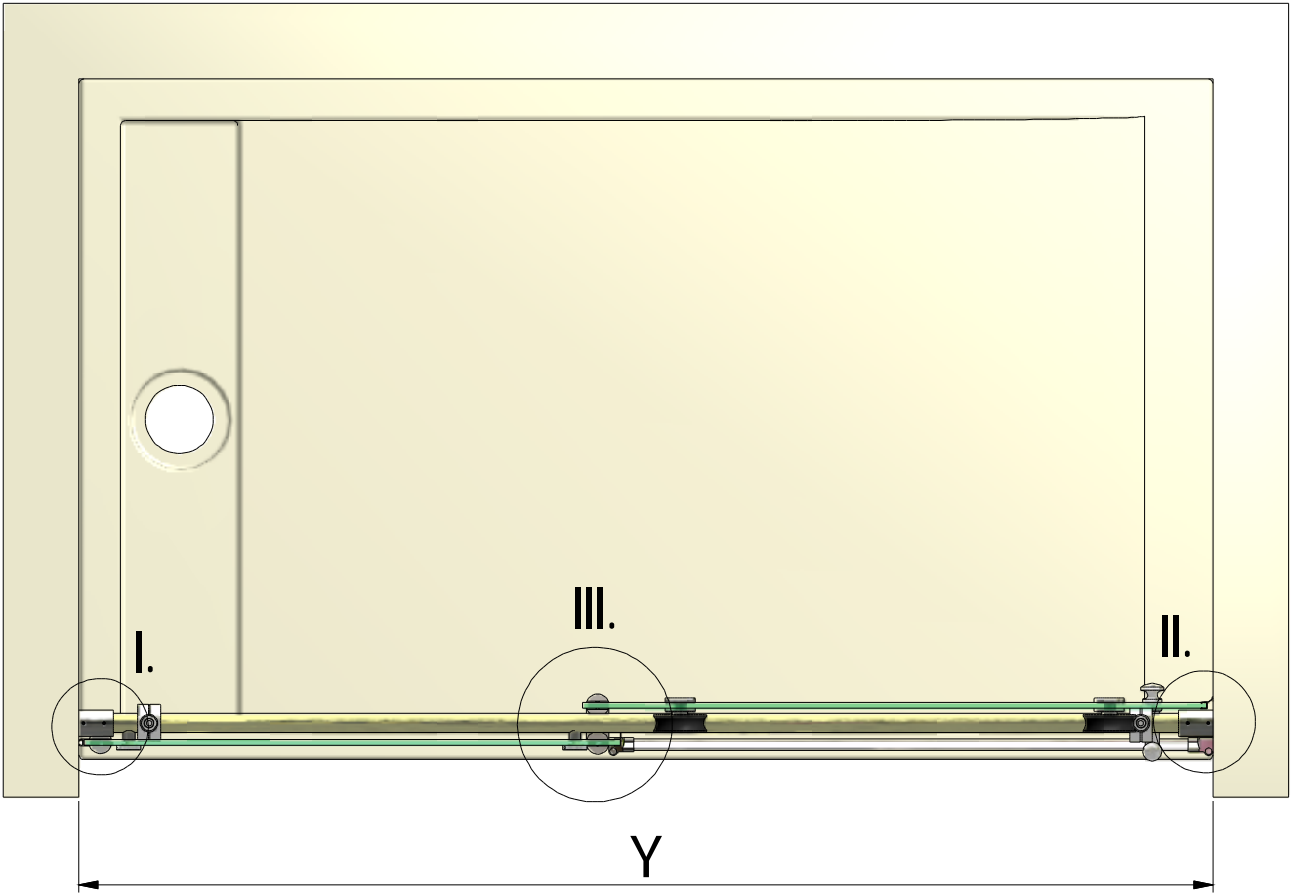
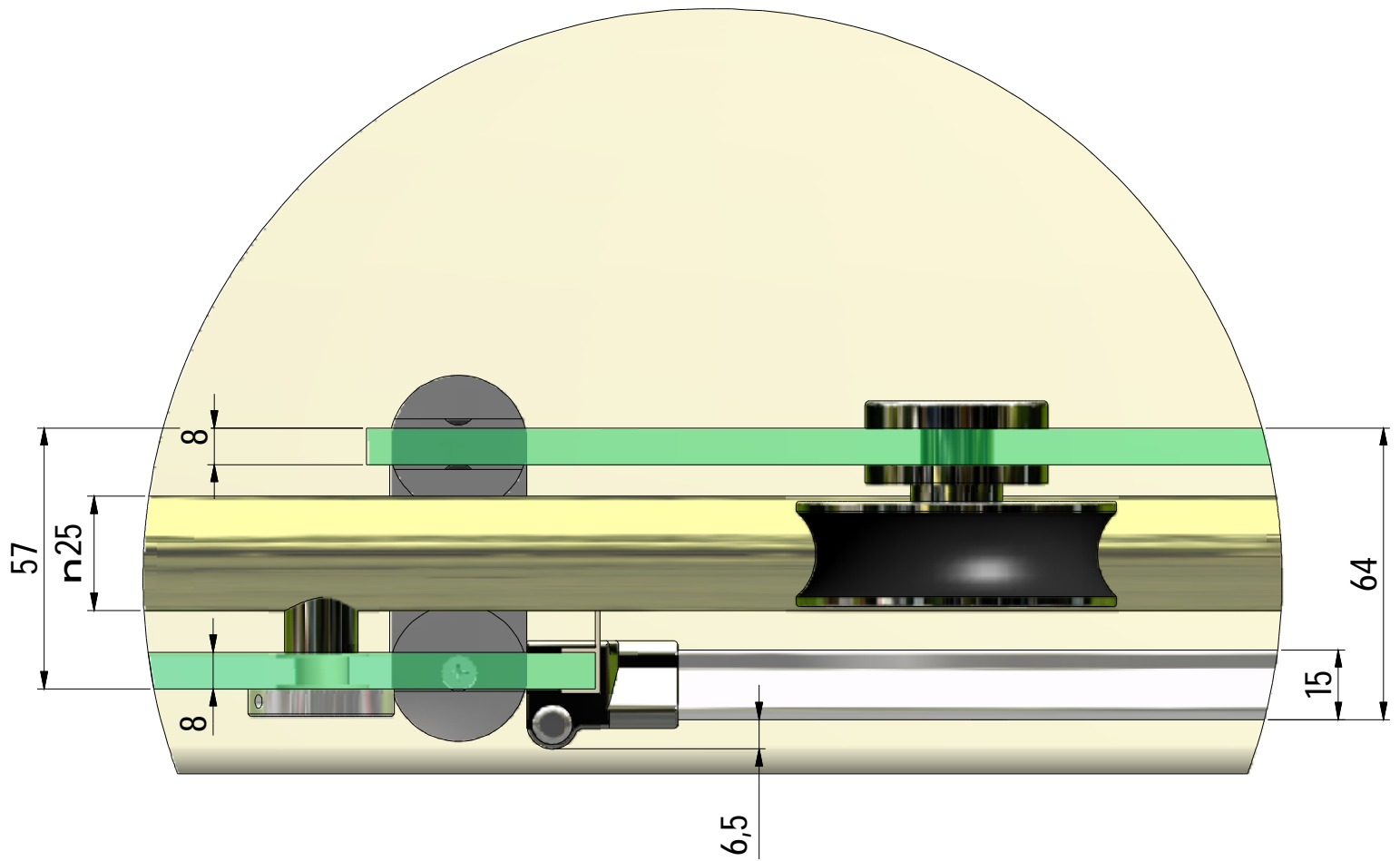


KID2



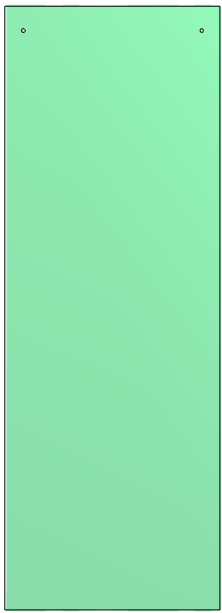


III.

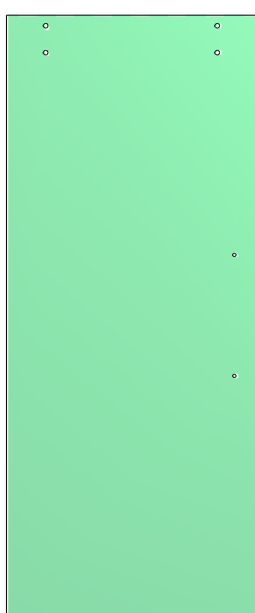


KID2	Y (mm)	
	MIN	MAX
1300	1150	1310
1500	1300	1510
1800	1500	1810
2000	1800	2010

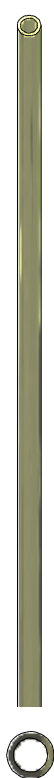
1. 1x
V48



2. 1x
V47



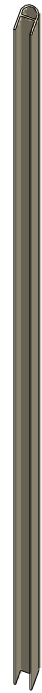
3. 1x
P73



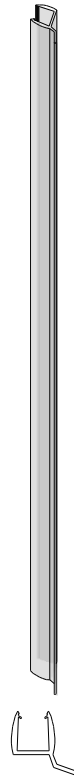
4. 1x
P74



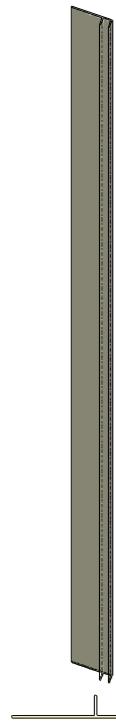
5. 1x
M9751



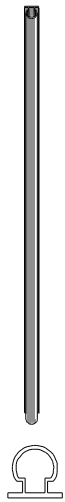
6. 1x
M9124



7. 1x
M9137



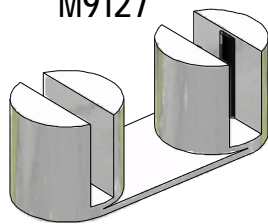
8. 1x
M9136



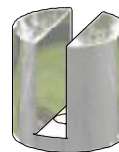
9. 4x
M9126



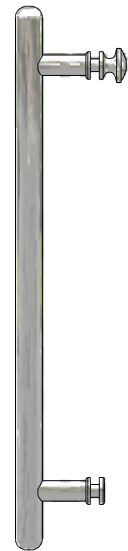
10. 1x
M9127



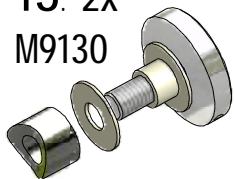
11. 1x
M9128



12. 1x
M9134



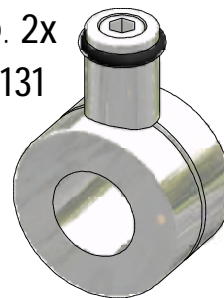
13. 2x
M9130



14. 2x
M9129



15. 2x
M9131



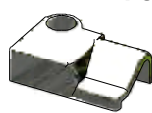
16. 1x
M9520



17. 1x
M9521



18. 1x
M9522



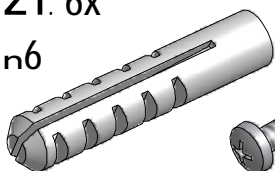
19. 1x
M9523



20. 4x
M9524

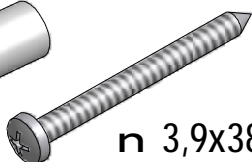


21. 6x
n6



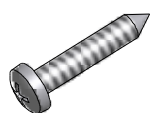
M0511

22. 2x



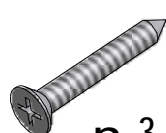
n 3,9x38
M0811

23. 2x



n 3,5x19
M0790

24. 2x

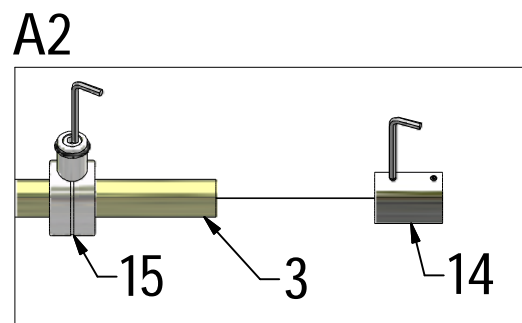
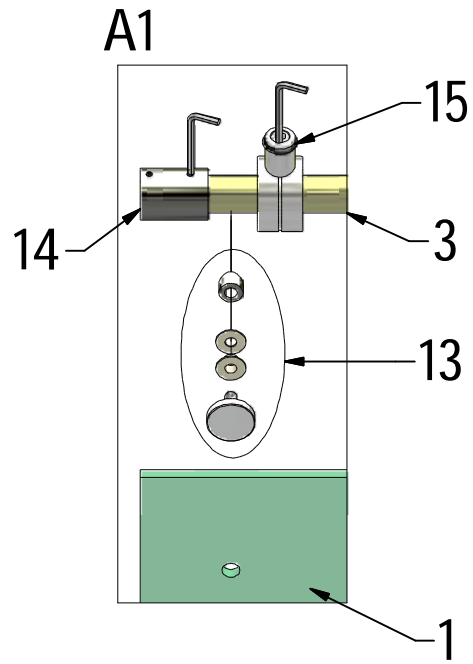
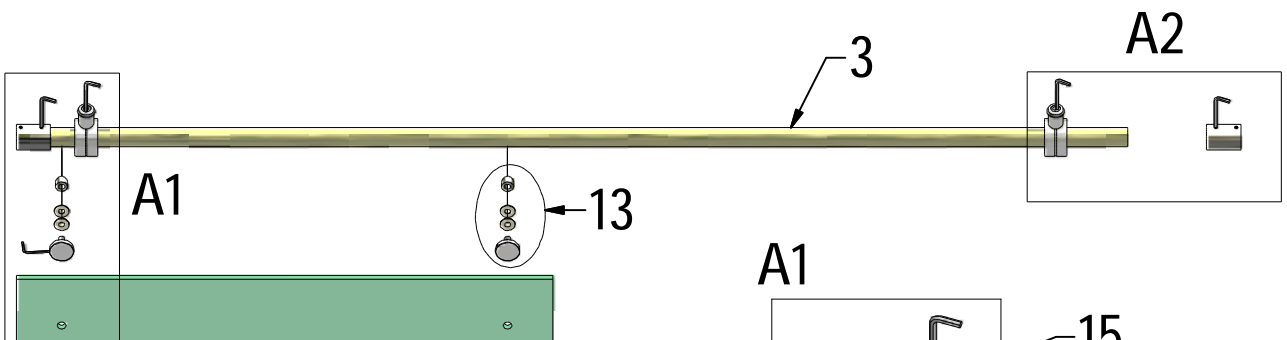
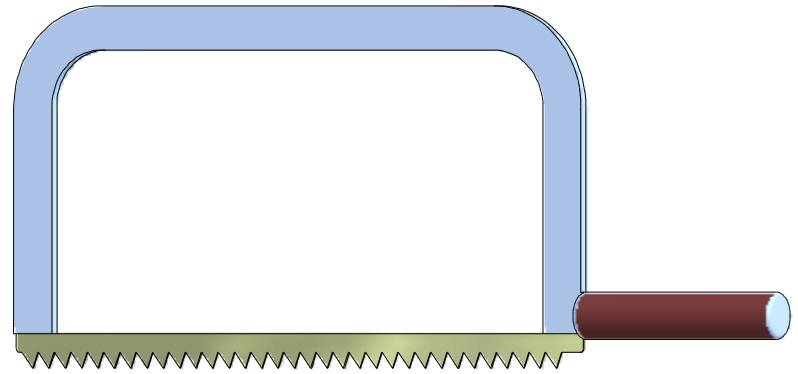
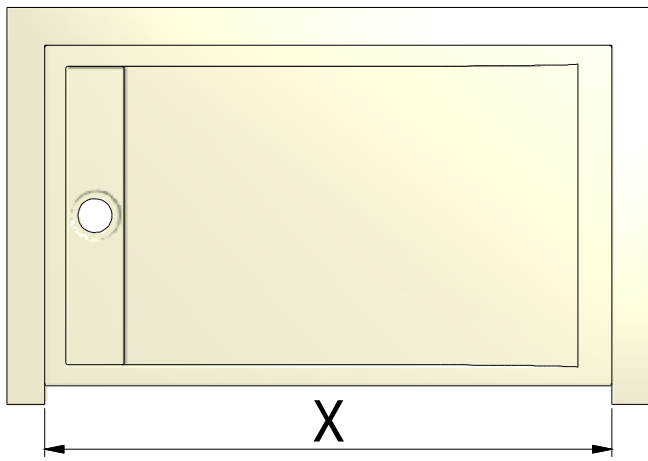


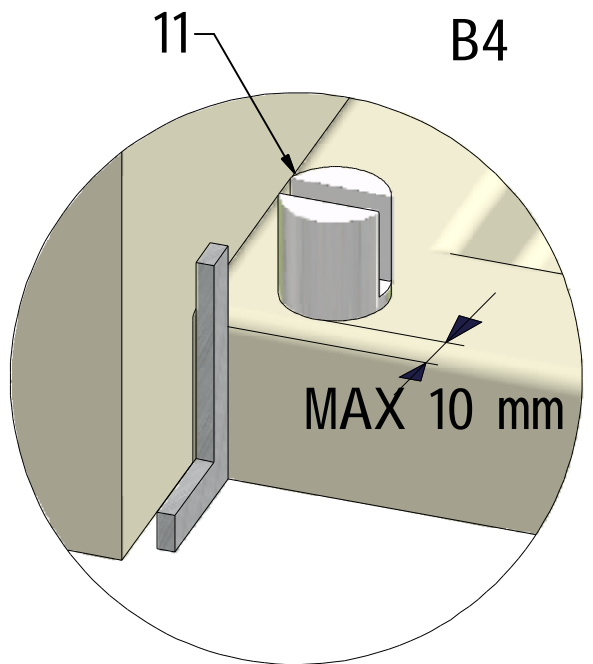
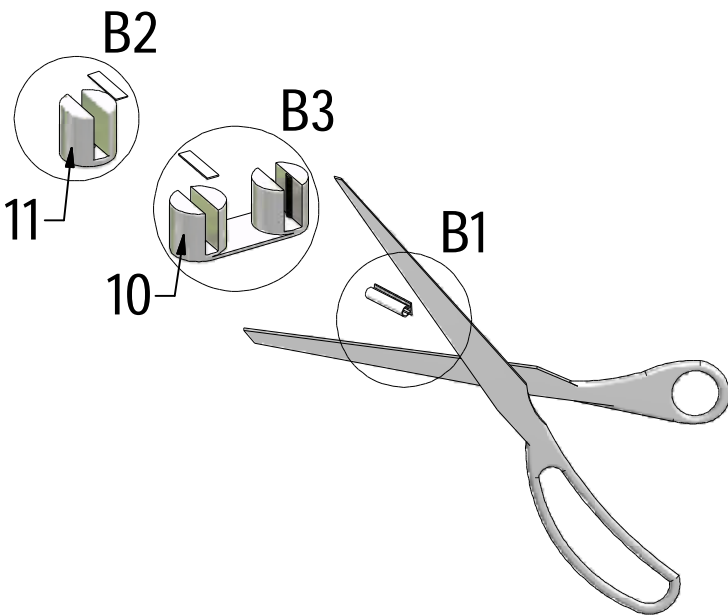
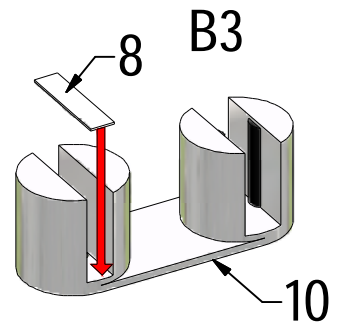
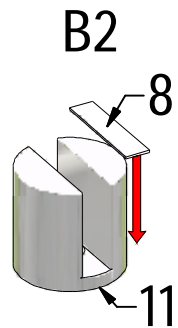
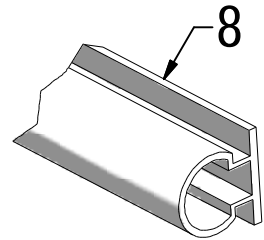
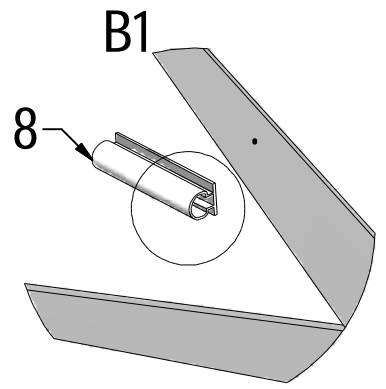
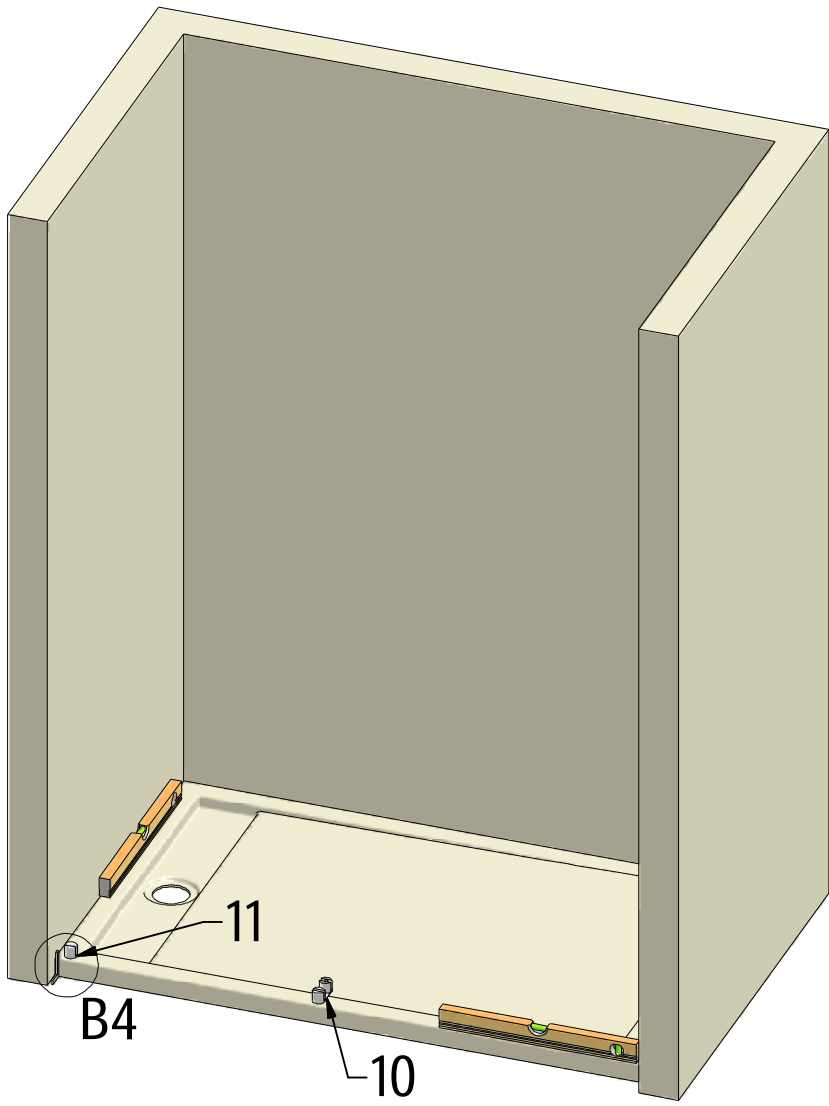
n 3,5x16
M6402

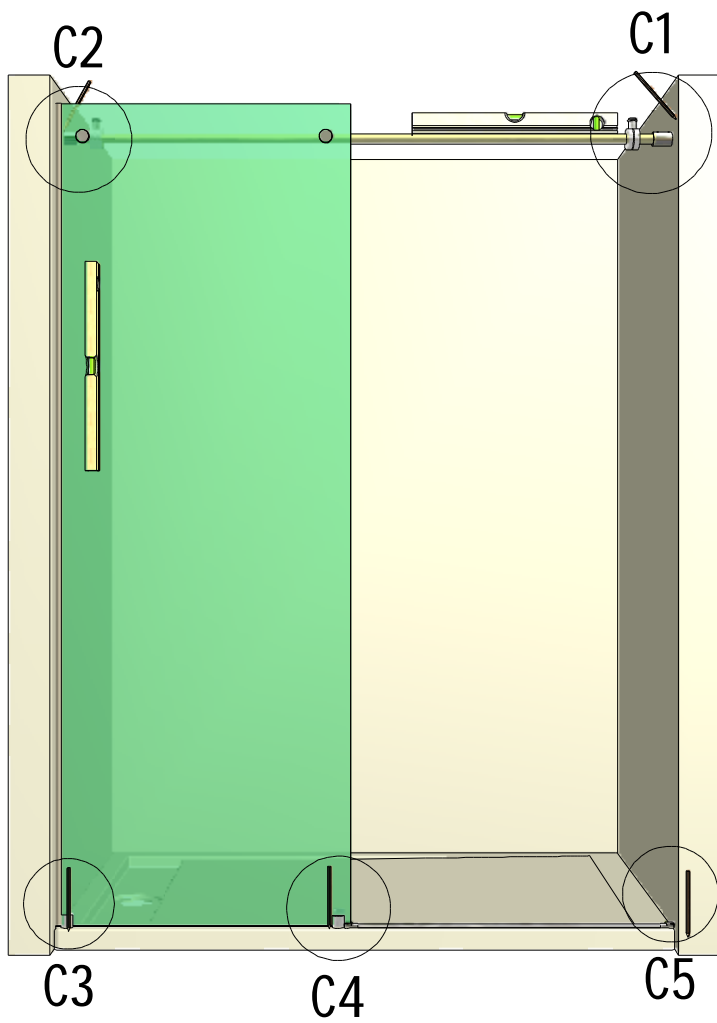
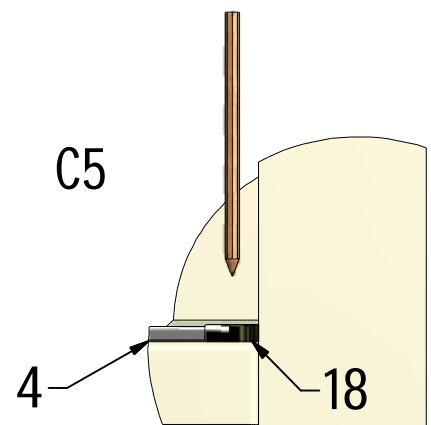
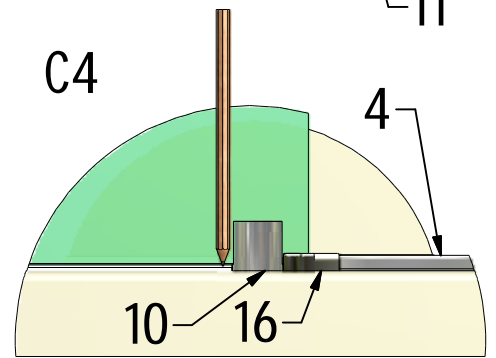
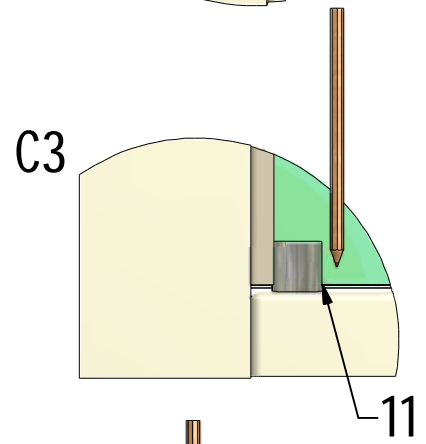
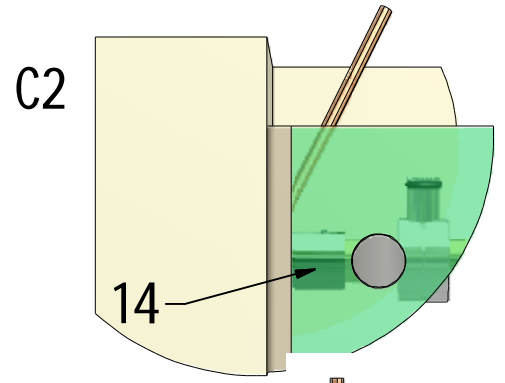
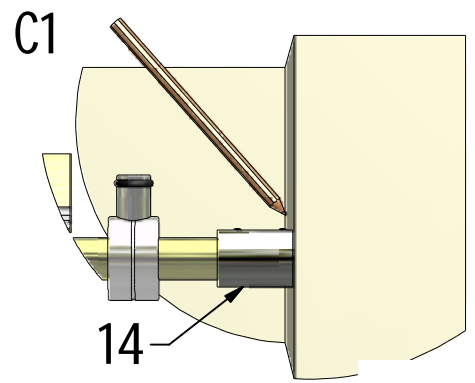
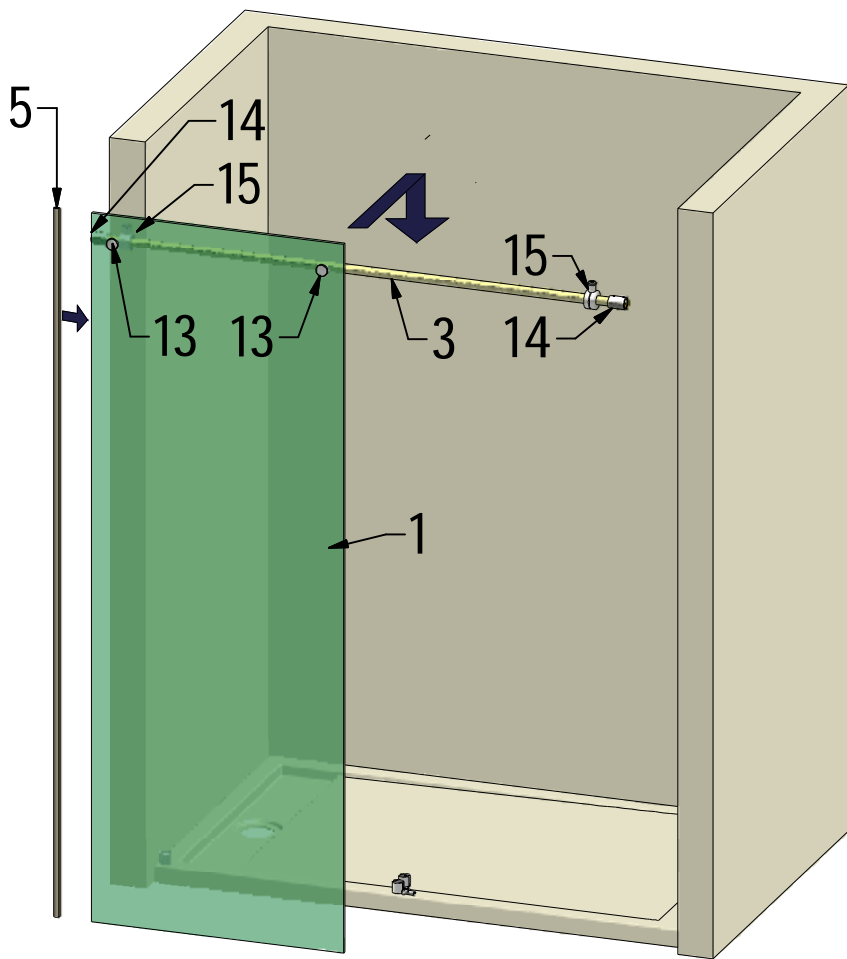
25. 1x

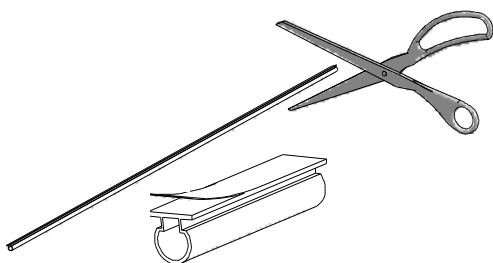
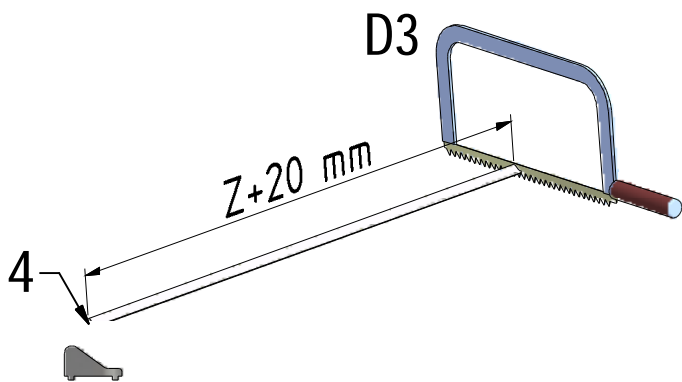
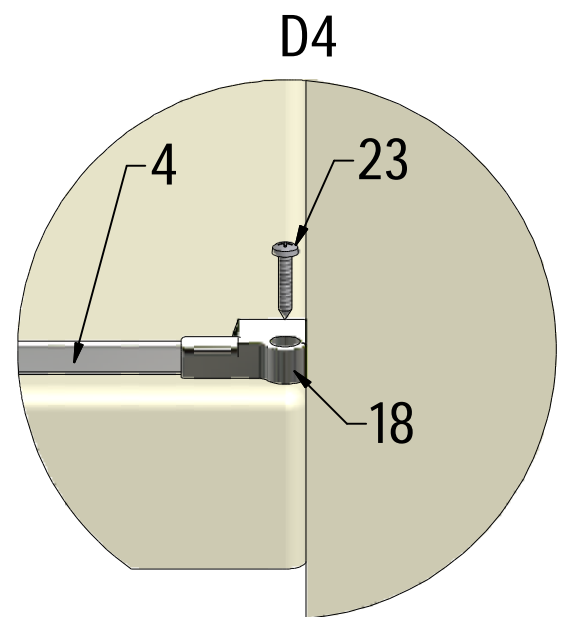
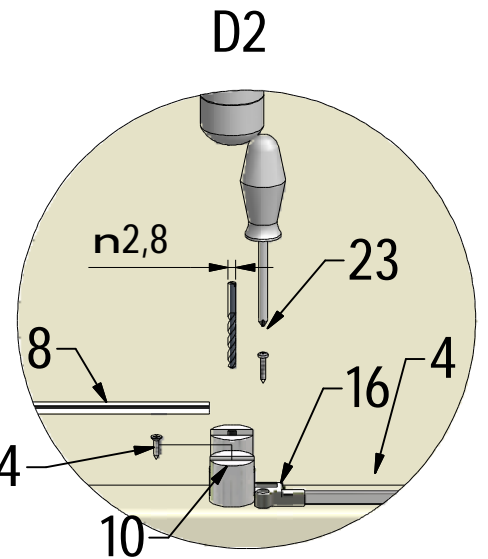
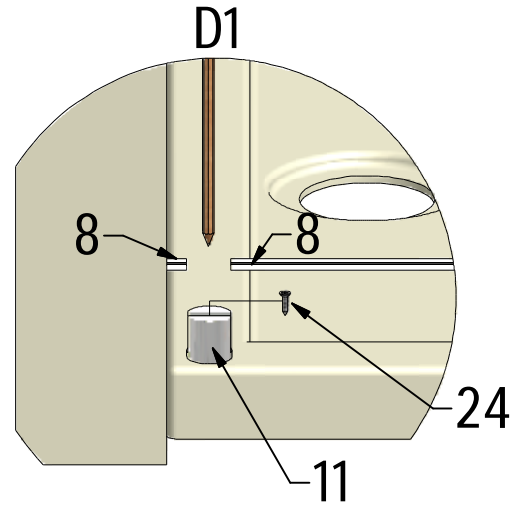
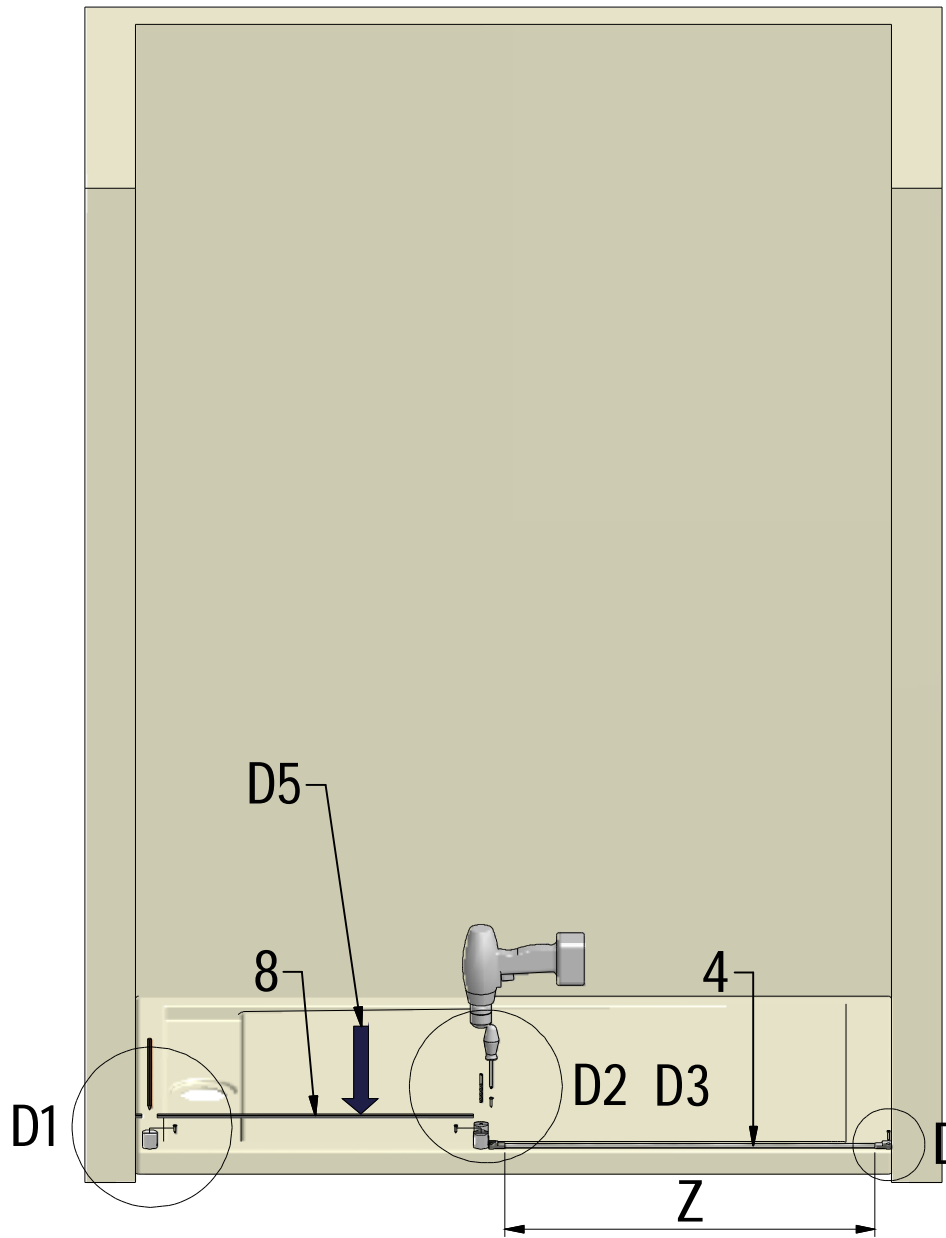
M9750
(KIB+KID2+KIB)

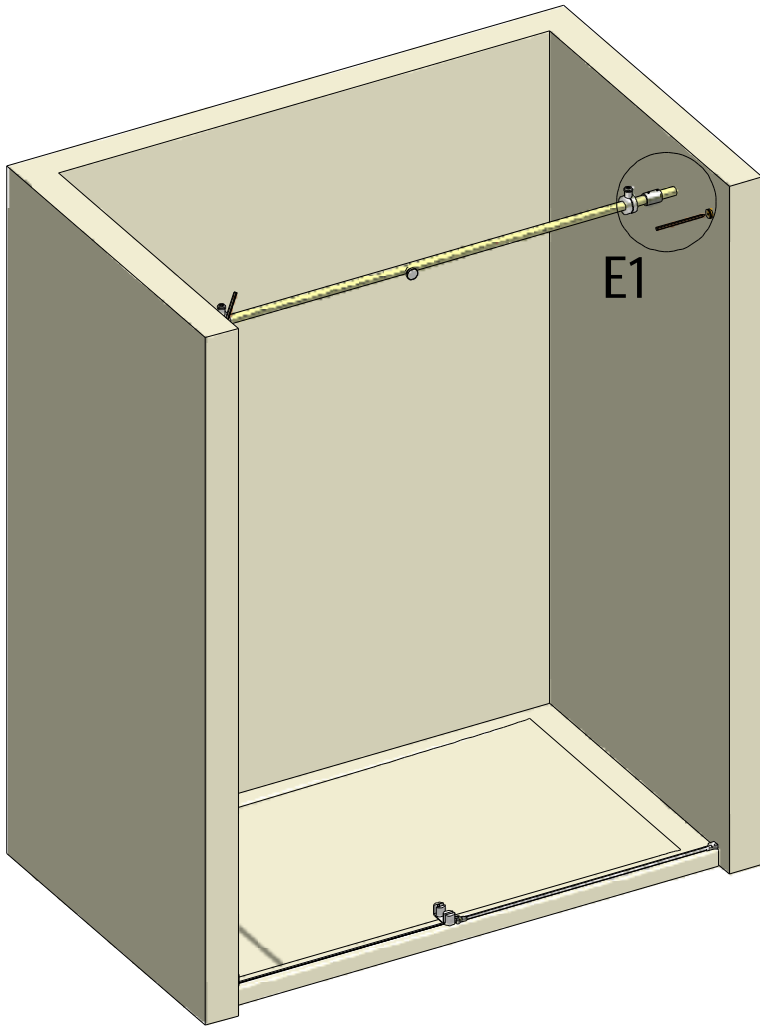
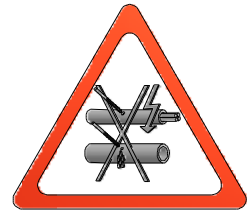






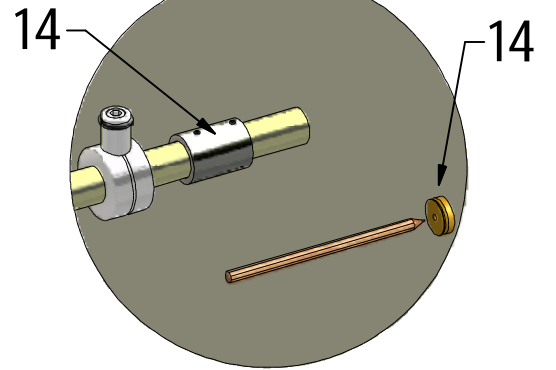






E1

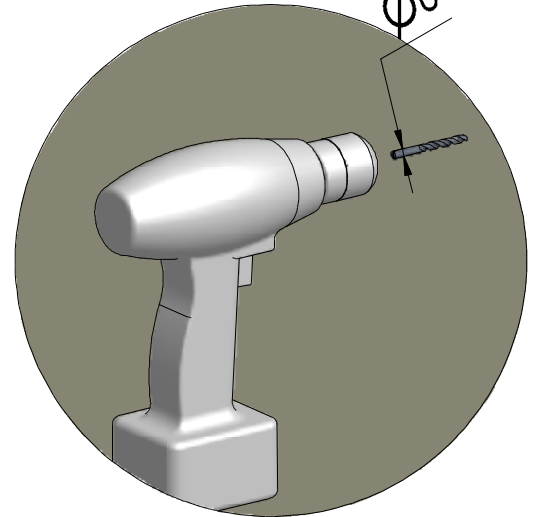
E1



14

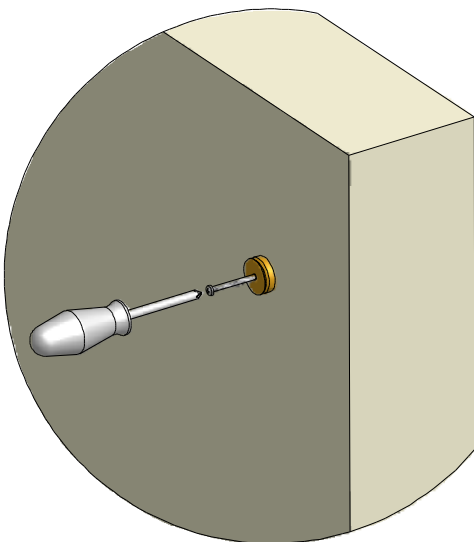
14

E2



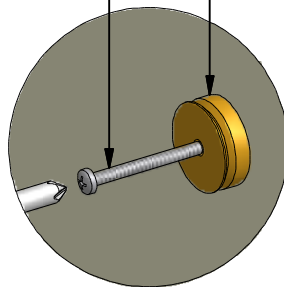
$\phi 6$

E4



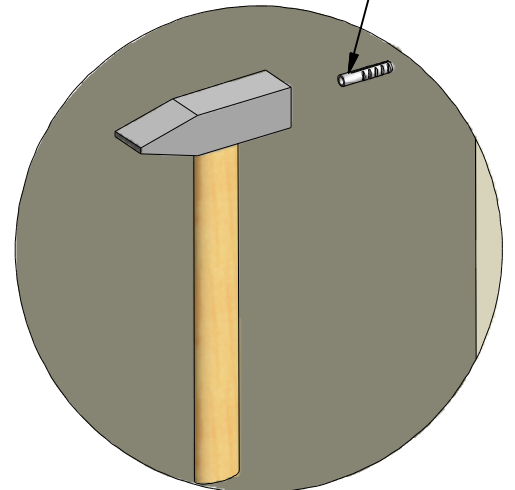
22

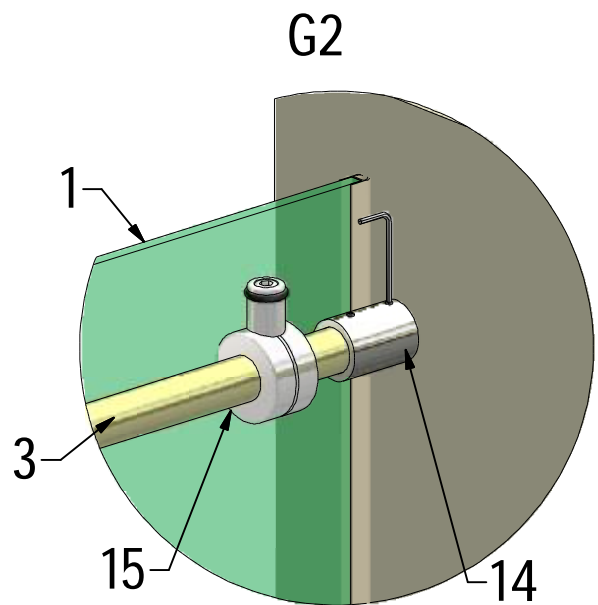
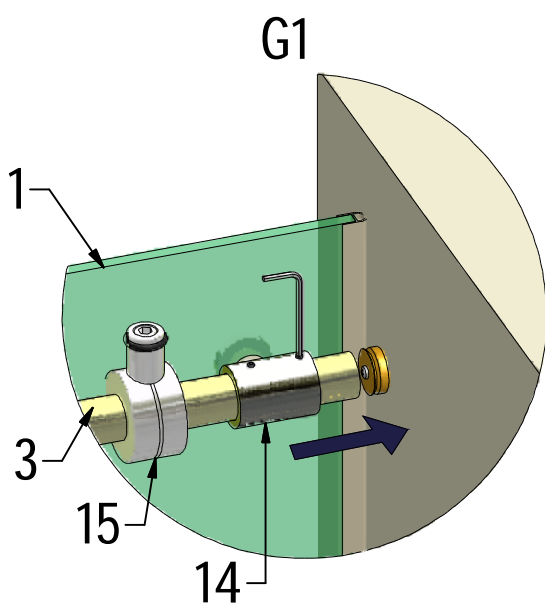
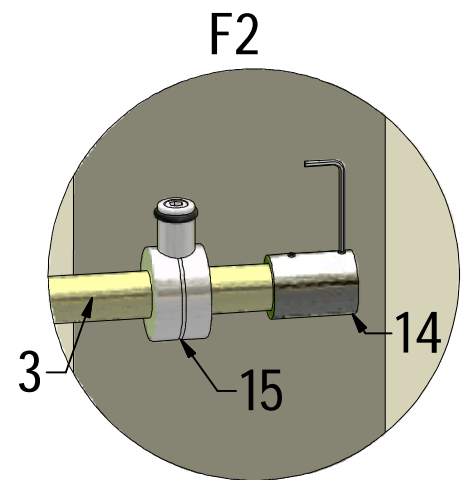
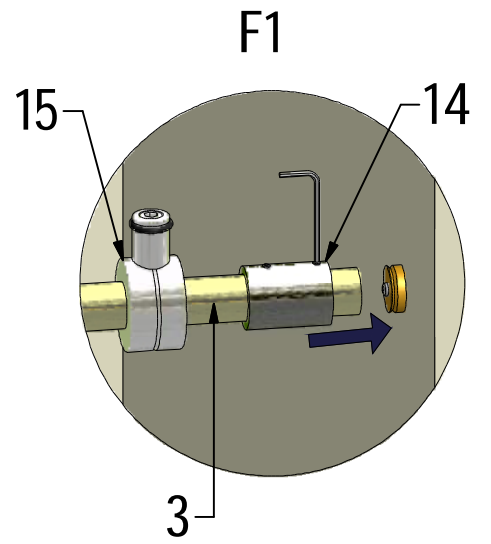
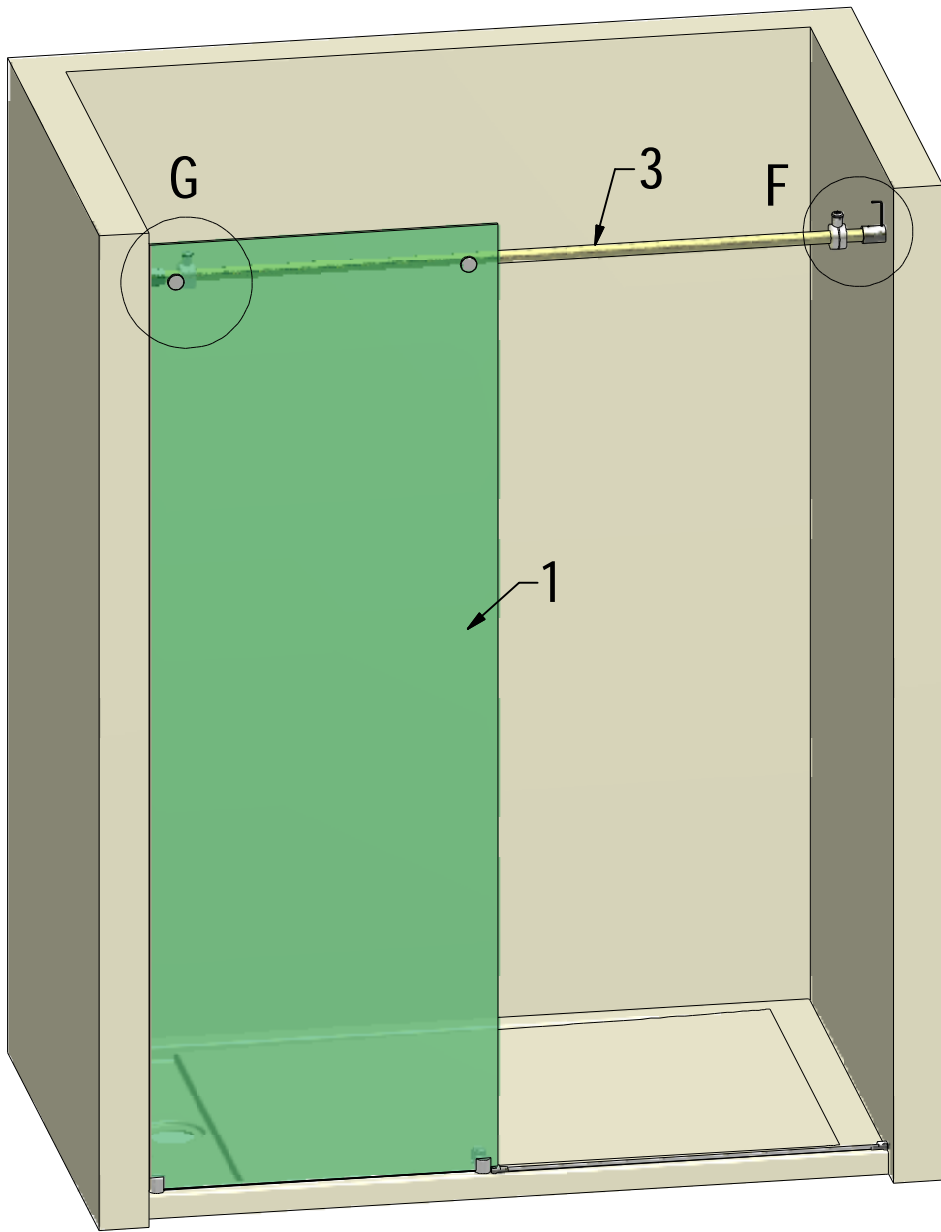
14

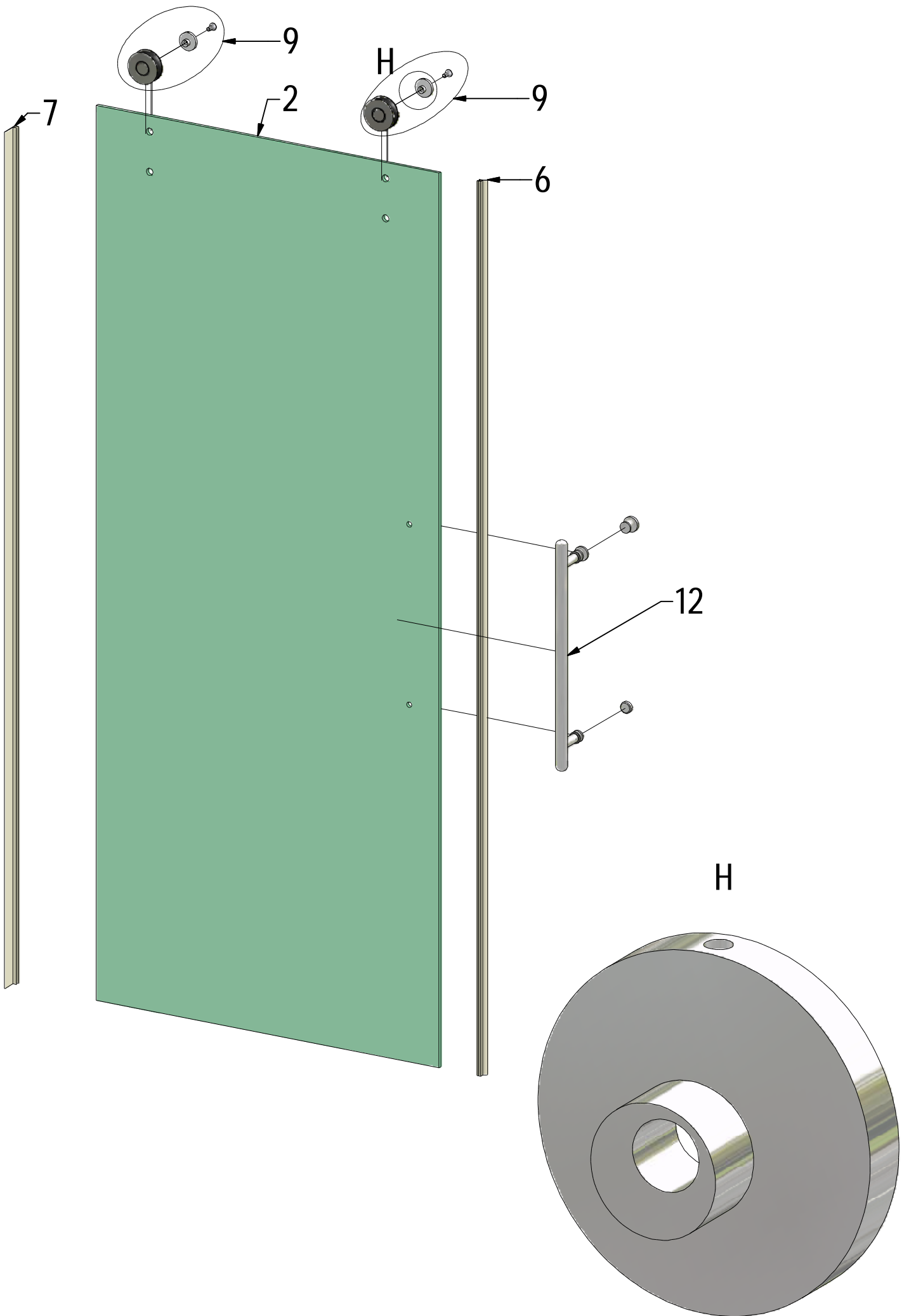


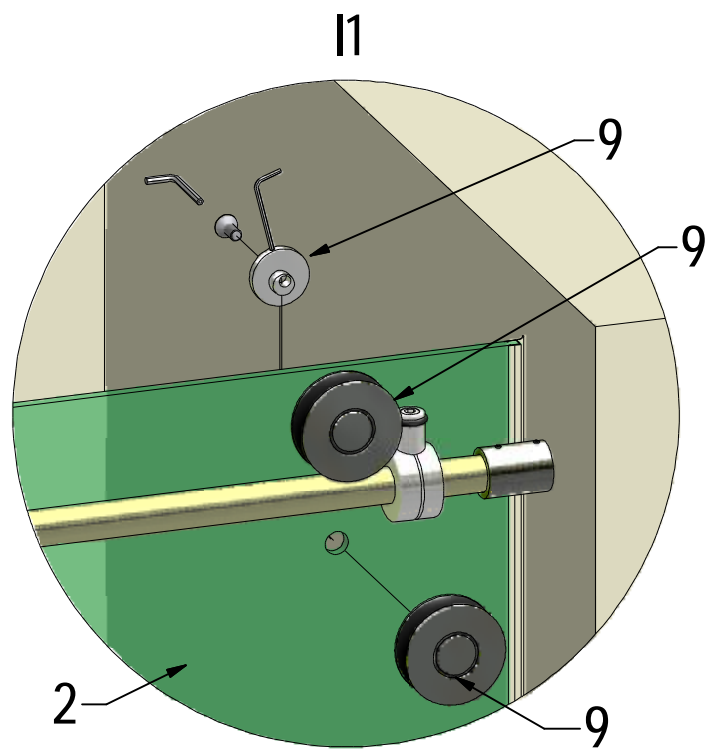
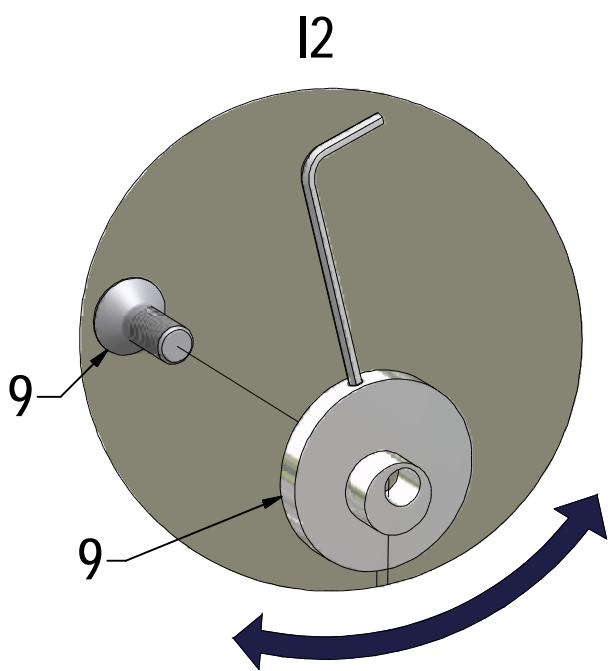
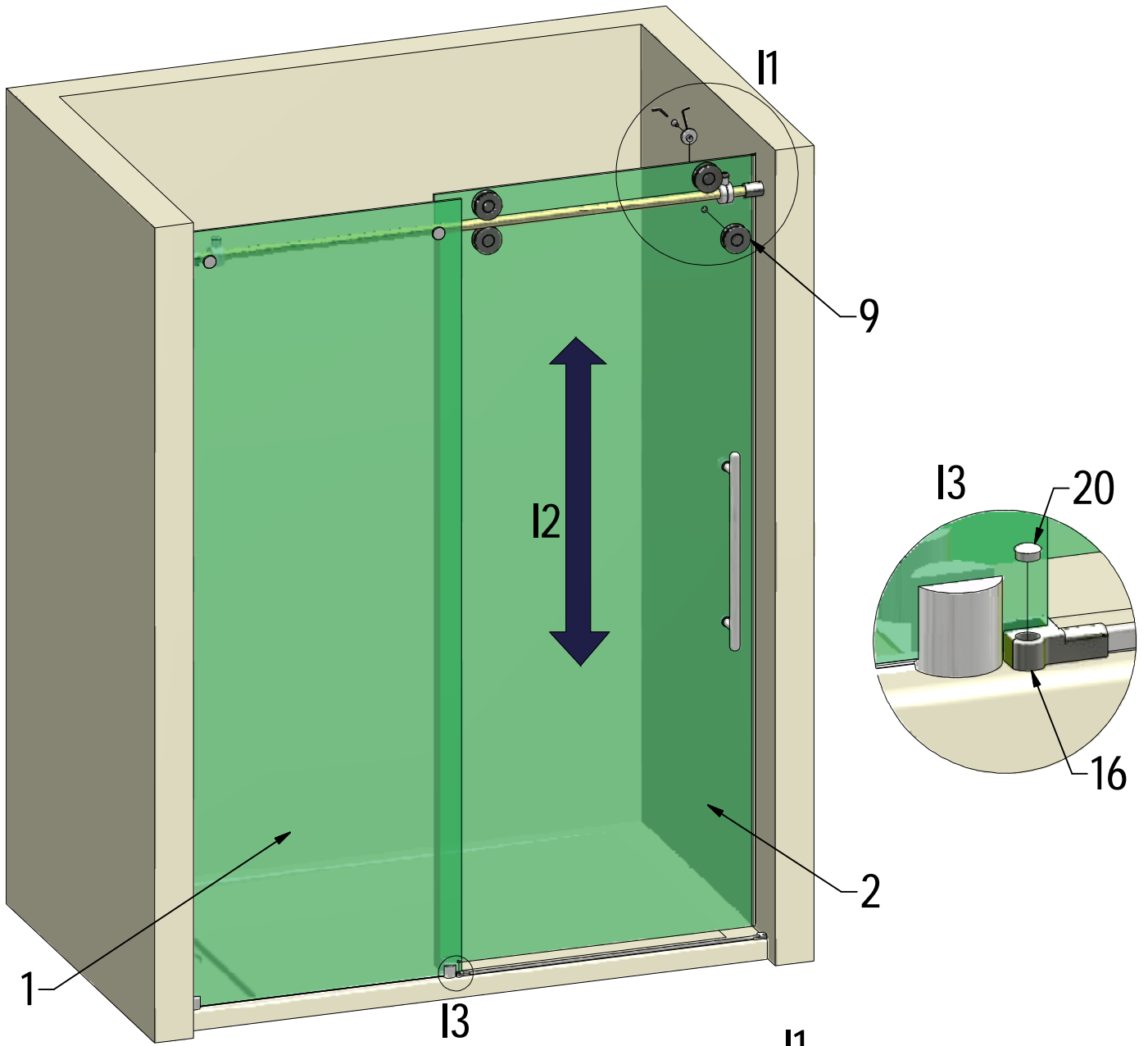
E3

21



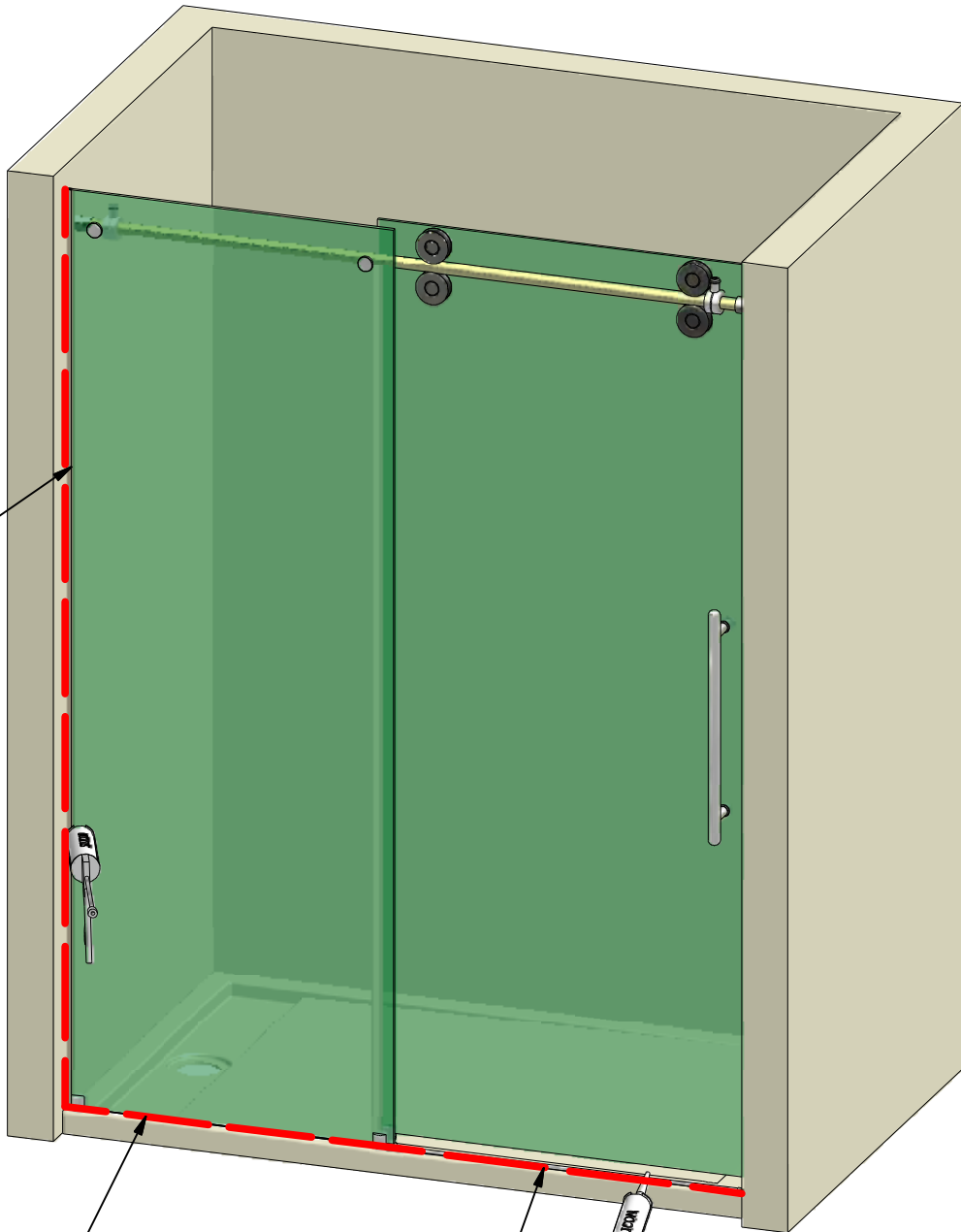








SILICONE

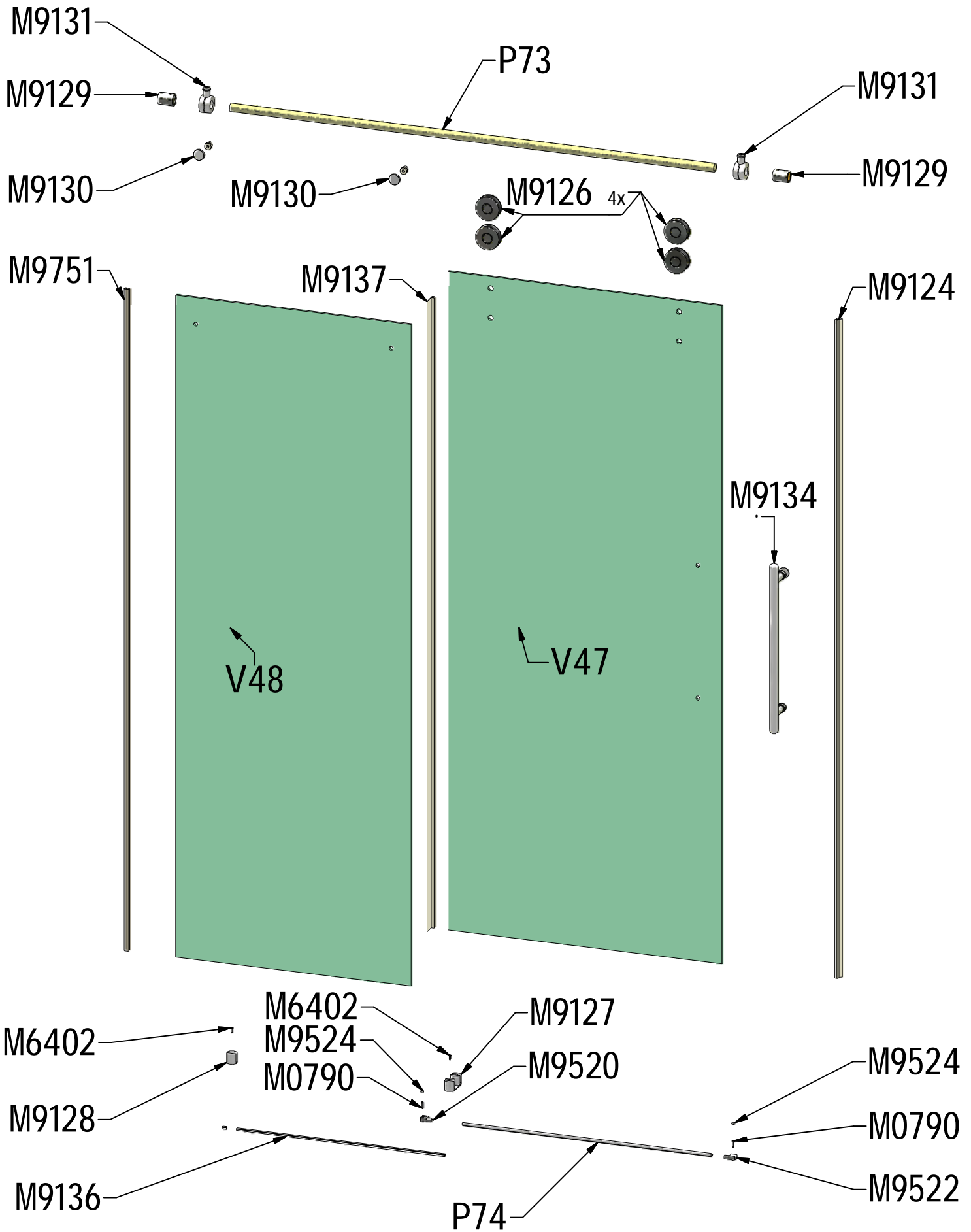


SILICONE

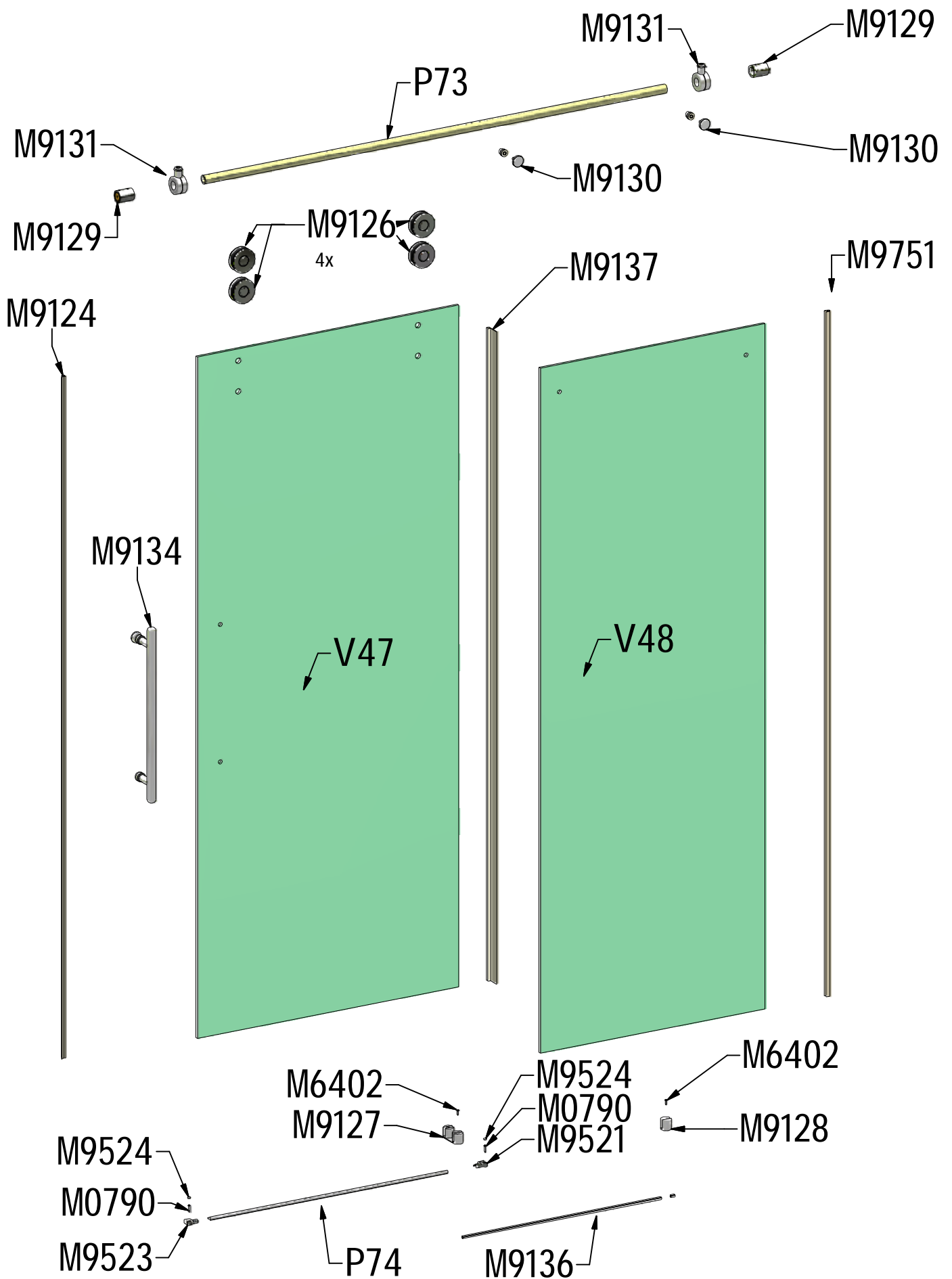
SILICONE



KID2 RIGHT



KID2 LEFT



P73	1300		ND01-2412-13
	1500		ND01-2412-15
	1800		ND01-2412-18
	2000		ND01-2412-20
P74	1300		ND01-2413-13
	1500		ND01-2413-15
	1800		ND01-2413-18
	2000		ND01-2413-20

V47	1300	clear glass	ND02-0584-00-02
	1500	clear glass	ND02-0544-00-02
1800	clear glass	ND02-0545-00-02	
2000	clear glass	ND02-0546-00-02	
V48	1300	clear glass	ND03-0440-00-02
	1500	clear glass	ND03-0397-00-02
1800	clear glass	ND03-0398-00-02	
2000	clear glass	ND03-0399-00-02	



ROLTECHNIK a.s. / Třebořov 160 / 569 33,
CZECH REPUBLIC

10

EN 14428:2008+A1